

Avtron LPH100

Compact, Portable Load Bank - 100 KW

Testing Your Emergency Standby Generator with a Load Bank Means Reliability When it Matters Most.

Key Features

- Rated for Continuous Operation
- Compact, Portable, Easy to Transport and Operate
- Large Load Capacity - up to 100 KW
- Lightweight Aluminum and Aluminized Steel Enclosure with Casters
- Convenient Operator Controls with Digital Metering and Data Logging Software included

Superior Avtron quality combined with simple operation and maintenance will provide years of trouble free service.

Avtron's extensive line of Load Bank and Industrial Resistor Products are solid performers used throughout the world.

For total technical support or additional information, please contact Avtron at (216) 573-7600 or LBsales@Emerson.com.

Quality System Certified to ISO 9001

The Avtron Model LPH100 Load Bank is a portable, self-contained AC resistive model designed for indoor use.

The Avtron LPH100 Load Bank gives users the freedom of a high capacity load in an ultra-compact package. The LPH100 is ideal for routine testing and maintenance of AC power sources such as stand-by-emergency generators and UPS systems. The load bank is rated at 100 KW at 480 VAC and 93.75 KW at 240 VAC at 3 phase, 60 Hz.

This versatile load bank weighs only 105 lbs. [48 kg] and is less than half the weight and size of traditional load banks of similar capacity. The load bank features horizontal air discharge to provide a low profile design. Quick-connect load terminals and simple operation allow the load bank to be set up and operated by a single technician, saving valuable time in the field.

The load bank controls and cooling fans are powered by any standard 120 VAC, single phase wall outlet with detachable line cord provided. An integral control panel is provided for load bank operation and includes the necessary controls and status indicators.

The LPH100 Load Bank features the standard in Digital Metering which includes the Avtron Advanced Digital Monitoring System (ADMS™). The ADMS meter provides faceplate digital display of Volts, Amps, Frequency, and KW. The Communicator EXT™ Data Logging Software allows Real Time Data Acquisition and trending of all meter parameters from your Laptop PC or PDA. An Infrared/USB interface cable is included for "Plug and Play" convenience.



**LPH100 100 KW
Compact, Portable
Avtron Load Bank.**

Avtron LPH100

Compact, Portable Load Bank - 100 KW

Specifications subject to change without notice.

Construction

A compact aluminized steel enclosure with screened inlet and exhaust openings. Four swivel casters provide mobility. Heavy duty lifting handles are also provided.

Control Power

The load bank requires control power of 120 VAC, single phase, 60 Hz (line cord provided).

Cooling

The resistive elements are air cooled by four high velocity muffin fans for quiet operation.

Controls

The operator control panel includes a MASTER LOAD ON-OFF switch, load step ON-OFF industrial toggle switches, a BLOWER ON-OFF switch, and a LOAD VOLTAGE selector switch (Dual Voltage model only).

Digital Metering

Avtron Advanced Digital Monitoring System (ADMS™) is provided for display of Volts, Amps, Frequency, and KW. ADMS™ also includes Communicator EXT™ Data Logging Software.

Safety Circuits

The LPH100 Load Bank features main line circuit fusing, wrong voltage protection (Dual Voltage model only), and overtemperature protection.

Load Capacity Ratings: (3 phase, 60 Hz)

Available Load Step Resolution: 5 KW

Rated KW	Rated Voltage	Load Step Resolution
100	480	5, 10, 10, 25, 50
93.75	240	3.75, 7.5, 7.5, 25, 50

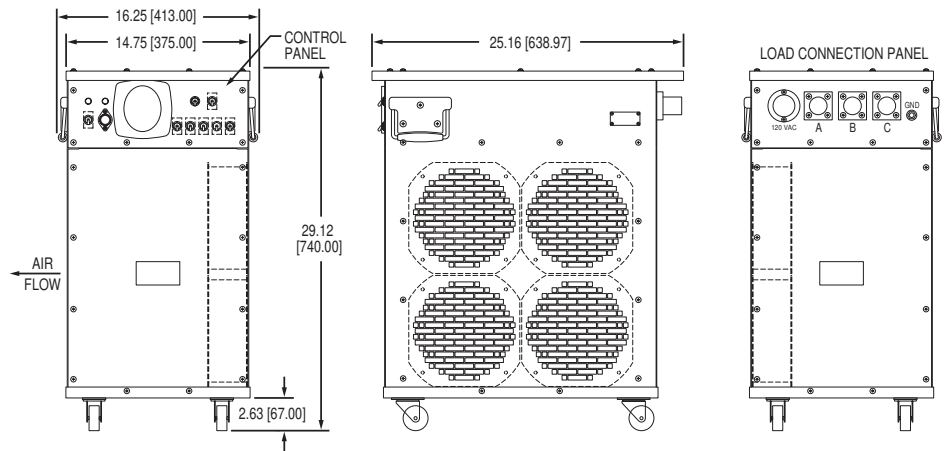
NOTE Designs for international 50/60 Hz voltages or custom DC designs are also available. Consult factory.

Load Bank Weight (approx.)

105 lbs. [48 kg]

Options

- 20' cable set with connectors
- Heavy duty shipping case



All dimensions are in inches [millimeters].



Emerson Network Power

Avtron • 6255 Halle Drive, Cleveland, Ohio 44125, U.S.A.
216-573-7600 • FAX: 216-573-5953 • LBsales@Emerson.com

EmersonNetworkPower.com/loadbank

Emerson, Consider it Solved and Emerson Network Power are trademarks of Emerson Electric Co. or one of its affiliated companies. All the other marks are the property of their respective owners.

Communicator EXT™ is a trademark of Electro Industries/GaugeTech. ADMS™ is a trademark of Avtron. Specifications subject to change without notice.

©2015 Emerson Network Power

Bulletin 428 • Rev. G

EMERSON. CONSIDER IT SOLVED.™